



SLA^{MAX}

FACTORY ACTIVATED

SLA MAX | PREMIUM QUALITY READY TO START

REF BTX14H



12V VOLTAGE - V

220A CCA - A

14.7Ah CAPACITY - Ah (20Hr)

14Ah CAPACITY - Ah (10Hr)

TECHNOLOGY

- AGM construction (Absorbed Glass Material)
- VRLA battery (Valve Regulated Lead Acid)
- Activated and pre-charged batteries
- Homologated by OEM

FEATURES

- Factory activated : Ready-to-start battery
- Totally sealed
- Safe & Environmentally friendly
- Superior capacity
- Increased power & Extended life
- Low discharge rate
- Absolutely maintenance free
- Sealed, no gas emission through venting hole (under normal operation)
- Extreme vibration resistance
- Spillproof design
- Multi-positional fitment
- No acid handling - Very safe

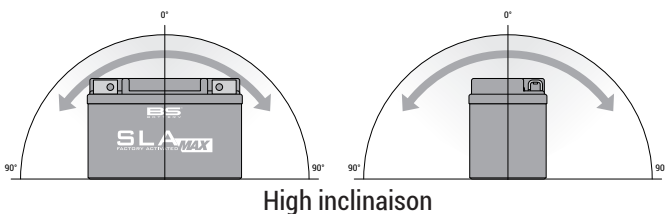
UPGRADE FOR

BTX14-BS

WEIGHT

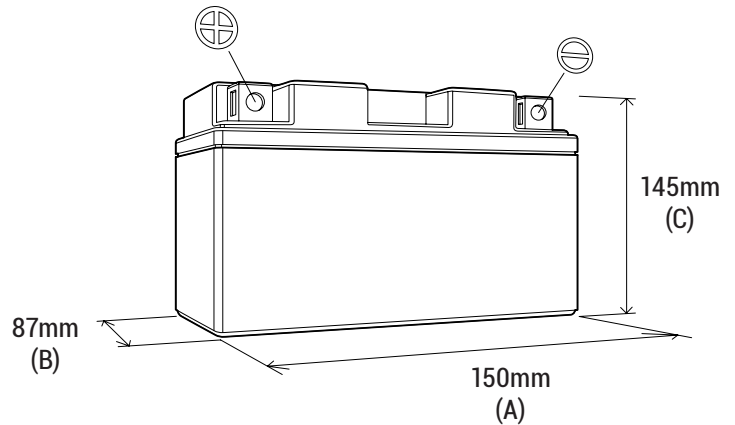
Battery (with acid) : approx 4.8kg

MOUNTING ANGLE

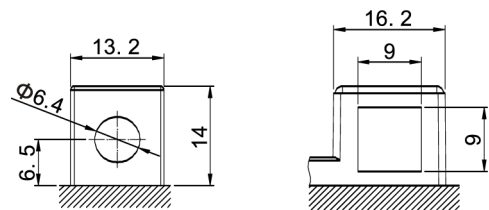


DIMENSIONS

Length (A) : 150mm (±2mm)
 Width (B) : 87mm (±2mm)
 Container height : 145mm (±2mm)
 Total height (C) : 145mm (±2mm)

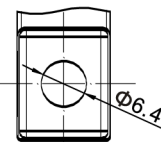


TERMINALS



FRONT

SIDE



TOP